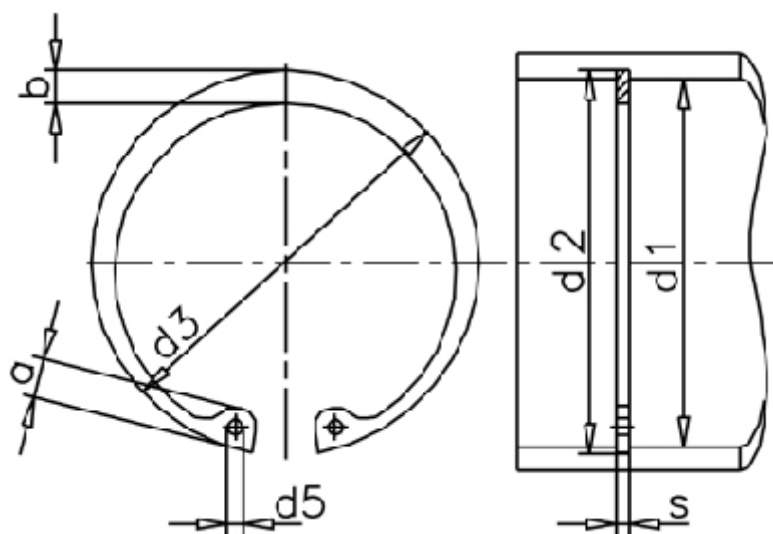


Article number: 01020541

Description: Retaining ring J37 DIN472
Stainless 411

Measures



| | | | | | |
|--------------------|---------|---------------|---------|----------------|--------------|
| a max | = 5.5 | FN kN | = 19.80 | t | = 1.00 |
| AN mm ² | = 119.0 | FRg kN | = 6.5 | tol | = +0,25 |
| b | = 3.6 | FR kN | = 27.1 | tol | = +0,50-0,25 |
| d1 | = 37 | g | = 1.5 | tol | = -0.06 |
| d2 | = 39.0 | K kN-mm | = 51.0 | Tong | = ZGJ-2 |
| d3 | = 39.80 | m min | = 1.60 | Weight kg/1000 | = 3.74 |
| d5 min | = 2.5 | Nominal drive | = 3.0 | | |
| Description = J 37 | | s | = 1.50 | | |